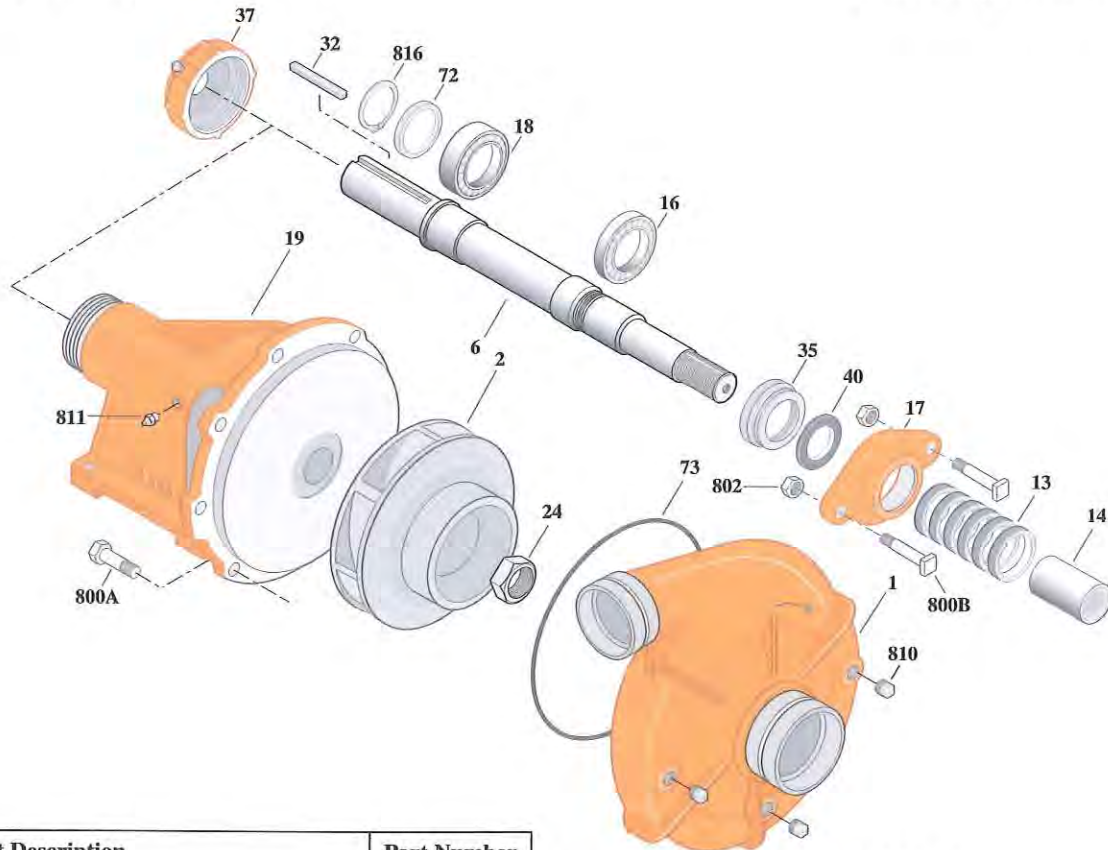




Type "B" Single Stage Centrifugal Pump Bearing Frame Mount

Section	FM
Page	130.1
Date	July 1, 2011
Supersedes 1/1/04	

CAST IRON IMPELLER	B3ZRM
Victaulic Case	Packing Construction



Item	Part Description	Part Number
1	Case, Volute	See Table I
2	Impeller	See Table I
6	Shaft (Not sold separately)	See Note 2
13	Ring, Packing (Set of 6)	S14022
14	Sleeve, Shaft	S05127L
16	Bearing, Ball	S13270
17	Gland, Packing (See Note 1)	S04948
18	Bearing, Ball	S13271
19	Frame	H00553
24	Locknut, Impeller (CW)	M10220
24	Locknut, Impeller (CCW)	U36-189SS
32	Key, 1/4x2-1/8"	S24255
35	Inner Bearing Cap	S19033
37	Outer Bearing Cap Assembly*	S19914
40	Slinger, Water	S12260
72	Ring, Thrust	S29218
73	O-Ring (See Note 3)	M14943

* Includes grease fitting and set screw.

Table I

B/M No.	Rotation	Volute Case	Impeller	Impeller Diameter
B66899	CW	H04040	M02153	9.00"
B66895	CCW	-H04041	M02181	9.00"

Item	Part Description	Part Number
800A	Capscrew, Hex 3/8-16x7/8" (8 Req.)	S26825
800B	Bolt, Sq. Head 3/8-16x2-1/2" (2 Req.)	S23762
802	Nut, Hex 3/8-16 (2 Req.)	S23343
810	Plug, Pipe 1/4 NPT (3 Req.)	S23715
811	Fitting, Grease	S23670
816	Ring, Retaining	S23010

NOTE 1: A two piece (split) stainless steel packing gland is available for replacement, order part number B82468.
NOTE 2: Shaft Replacement Kit available for this model. Berkeley part number B80698 for CW, B80696 for CCW. Pump Shaft sold in shaft replacement kit only.
NOTE 3: Also accepts gasket S05126 as replacement for o-ring. See *Supplement E* located at the beginning of this section.